

## P6 Pro Series

# P6 Universal Nema 4 Pressure Sensor

### NEW! Duct probe now Universal

0-5", 15", and 40" W.C. ranges; 10 selectable sub-ranges

0-1250, 3750, and 10000 Pa ranges; 10 selectable sub-ranges

LCD display and LED indicator

Nema 4 enclosure (Duct/port version)



### DESCRIPTION

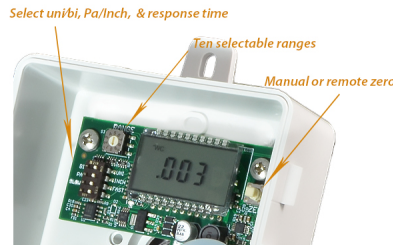
The P6 universal dry media pressure transmitter accurately measures multiple ranges optimized for building (zone) pressure, filter measurement, and static duct applications. Selectable outputs and uni/bi directional readings reduce inventory. Conduit ready Nema 4 enclosure for harsh environments.

### APPLICATIONS

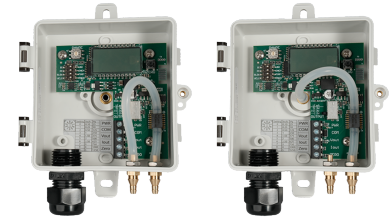
- Building (zone) pressure
- Filter condition measurement
- Duct/static
- Wash down environments



Optional Duct Probe Attachment



Select measurement & response time. Ten selectable ranges and manual or remote zero.



Change Pressure Hose from Barb to Duct Probe

### FEATURES

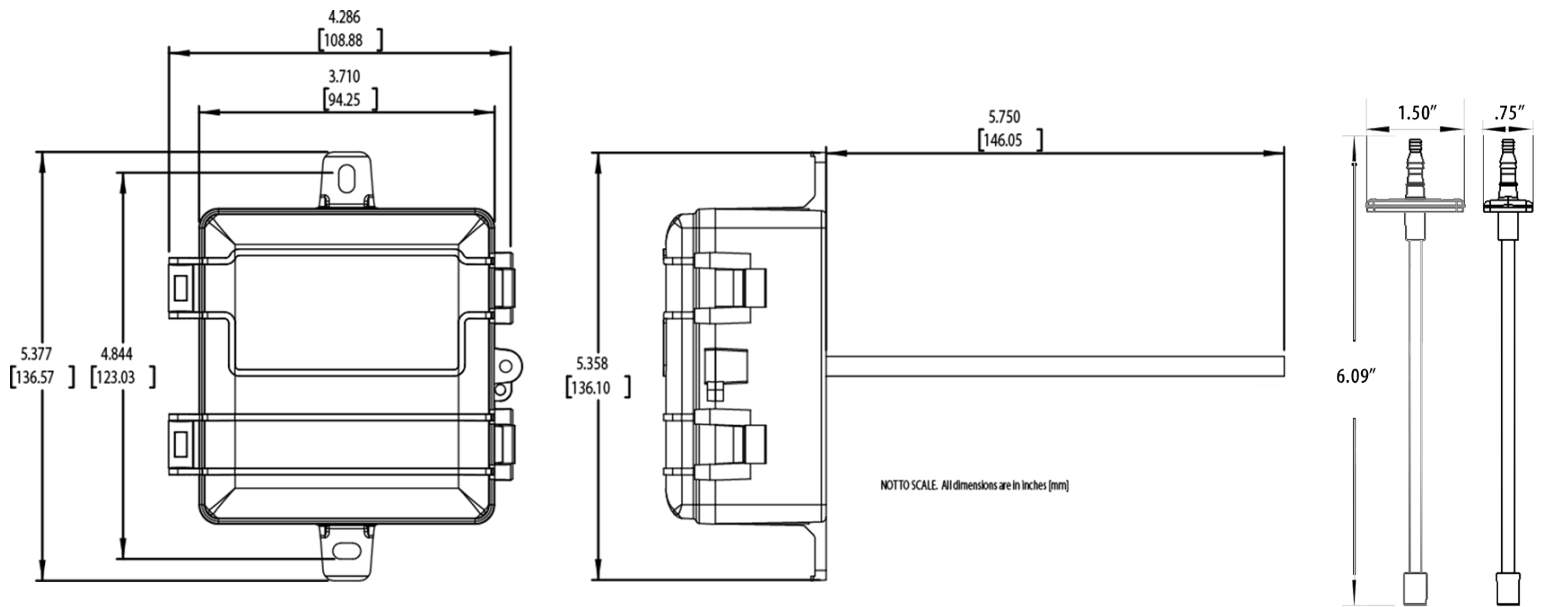
- **NEW!** Duct probe model has both probe and barbs
- Selectable 4-20 mA loop-powered, 4-20 mA 3-wire, 0-5VDC, 0-10VDC for compatibility
- 10 field selectable pressure ranges to address a wide range of applications with high resolution
- Field selectable Pa or WC" display
- Zero calibration push button and remote contact input
- Models for duct or remote probe applications
- Selectable fast/slow response rate (2s fast, 8s slow)
- Non-position sensitive for easy placement
- Conduit ready or use included water tight cable gland
- LED: Power heartbeat, momentary rapid flash = autozero complete, continual rapid flash = 110% over pressure

ORDERING

<p><b>P6 -</b> <input type="checkbox"/> - <input type="checkbox"/></p> <p><b>Pressure Range*</b></p> <p>0500 = 0-5" 0-1250Pa 1500 = 0-15" 0-3750Pa 4000 = 0-40" 0-10000Pa</p>	<p><input type="checkbox"/></p> <p><b>Accuracy</b></p> <p>1= 1% of Range</p>	<p><input type="checkbox"/></p> <p><b>Display</b></p> <p>L = LCD</p>	<p><input type="checkbox"/></p> <p><b>Duct Probe</b></p> <p>P = Duct Probe X = Dual Brass</p>
---	--	--	---

\* 10 selectable sub ranges available for each range

DIMENSIONS



**Warning:** The datasheet is designed for reference only. Refer to installation instructions that accompany the product and heed all safety instructions. Product improvement is a continuing process at Senva. Changes may occur to products without prior notice.

SPECIFICATIONS		
Power Supply		12-30VDC/24VAC (1), 30mA max.
Output type	Selectable outputs	4-20 mA loop powered, 4-20 mA 3-wire, 0-5VDC, 0-10VDC
Output scaling	Max range (selectable sub-ranges)	0-5" (0.1/0.25/0.5/1/1.5/2/2.5/3/4/5"wc)
		0-1250Pa (25/50/125/250/375/500/625/750/1000/1250 Pa)
		0-15" (0.25/0.5/1/2.5/3/4/5/8/10/15"wc)
		0-3750Pa (50/125/250/625/750/1000/1250/2000/2500/3750 Pa)
		0-40" (1/2.5/5/8/10/15/20/25/30/40"wc)
Operating Temperature	Operating range	-4 to 140F (-20 to 60°C)
	Compensated range	-4 to 140F (-20 to 60°C)
Media compatibility		Dry, oil-free air, N2
Sensor Type		MEMS silicon piezoresistive; precision calibrated
Sensor Performance	Accuracy(2)	±1.0% of selected range
	Zero Tolerance	Included in accuracy specification
	Span Tolerance (3)	±1.00%
	Zero Drift (1 year)	0.004"WC/year max. 0.4% for units >0.5" w.c.
	Auto-zero input	Push-button and contact closure
	Thermal Shift (Zero and Span)	0.02% FSO/°C (0.01%FSO/°F) measured from 22°C (72°F)
	Overpressure	up to 5" models: 41.5"w.c.; 10" models: 133"w.c.; 25" models: 332"w.c.
	Max Static Line Pressure	up to 5" models: 41.5"w.c.; 10" models: 133"w.c.; 25" models: 332"w.c.
	Burst Pressure	up to 5" models: 83"w.c.; 10" models: 166"w.c.; 25" models: 415"w.c.
	Position Sensitivity	Non-position sensitive
Response Rate	Selectable (4)	Fast = 2 seconds, slow = 8 seconds
Agency	Compliance	CE, RoHS
Enclosure	Flammability	UL94 5VB
	Environmental	NEMA 4. Place cap on unused barb when using duct probe.
	Dimensions	4.0"h x 3.7"w x 2.1"d

(1) One side of transformer secondary is connected to signal common. Dedicated transformer is recommended.

(2) Accuracy includes non-linearity, hysteresis, and repeatability at 70°F.

(3) Span tolerance is ±1% ±0.005inWC for models less than 0.10inWC or equivalent pressure range.

(4) Full scale response time.

*\* Product improvement is a continual process at Senva and product features and specification may change without prior notice. Refer to instructions that accompany the product for installation and wiring.*